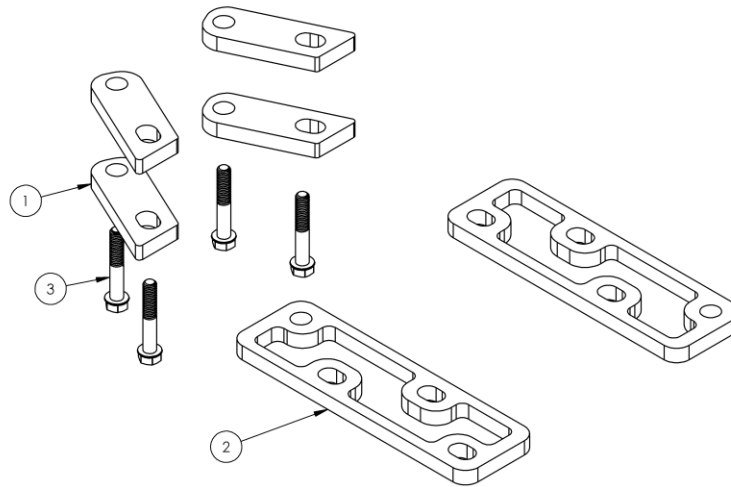


AD1710

2011-15 CONVERTIBLE CAMARO REINFORCEMENT BRACE SPACER KIT

MBRP
INC.
PERFORMANCE EXHAUST

July 26, 2017



1. REAR SPACER (4PCS)
2. FRONT SPACER (2PCS)
3. M10 X 60mm HEX BOLT (4PCS)

PLEASE READ BEFORE STARTING INSTALLATION

MBRP Inc. has made every effort to ensure that all components of this system are of superior quality and properly packaged. It is the installer's responsibility to ensure that all components are present and fit together as shown. Please also ensure that all components are undamaged before removal of the factory exhaust. Finally, check that this system properly matches the make and model of the vehicle and will not interfere with previous or planned modifications.

For use with MBRP 3" Exhaust Systems

1. Remove the rear reinforcement braces shown in figure one. (15 mm socket)
2. Remove the front reinforcing brace and retain the hardware for reinstallation. Note: these parts need to be temporarily removed when removing the stock exhaust.
3. With the new exhaust installed, reinstall the front reinforcing brace. Reusing the stock hardware place the **Front Spacers** between the brace and the vehicle body.
4. Install the reinforcing braces by reusing the stock hardware except where the **Rear Spacers** mount. Install the rear reinforcing braces placing the **Rear Spacers** between the brace and the vehicle body. Secure the **Rear Spacers** using the **M10 x 60mm Hex Bolts** provided.



Figure 1



Figure 2

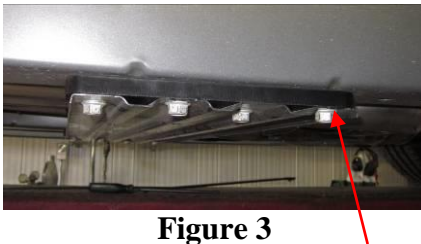


Figure 3

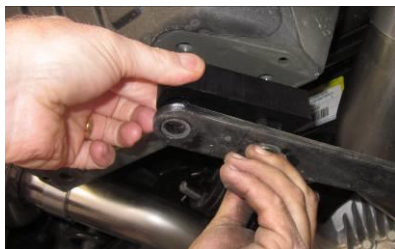


Figure 4

